

Easy to order

Configuration flexibility

Excellent value

No tools required for assembly

RoHS compliant

### Technical data

Fluid: Compressed air

Maximum pressure

175 psig (12 bar)

Cv factor from IN to OUT ports

1/4" PTF: 2.57

3/8" PIF: 1.77

Operating temperature\*

-4° to 140°F (-20° to 60°C)

\* Air supply must be dry enough to avoid ice formation at temperatures below 35°F (2°C).

### Materials

Body and valve stem: PBT

Elastomers: Nitrile, and TPE

Internal parts: Acetal








### Order Information

Port Size	2-Port/2-Position No exhaust outlet Black slide	3-Port/2-Position (OSHA) Unthreaded exhaust port Yellow slide	3-Port/2-Position 10-32 (M5) threaded exhaust port, Red slide	Weight lbs (kg)
1/4" PTF	T92B-2A-B1N	T92E-2A-B1N	T92T-2A-B1N	0.35 (0.16)
3/8" PIF	T92B-6E-B1N	T92E-6E-B1N	T92T-6E-B1N	0.33 (0.15)



Substitute	Exhaust port	T92 ★★ B1N	Substitute	Description
B	Plugged	←	NN*	no connection
E	Unthreaded		1A	1/8" PTF
T	Threaded M5 (10-32 UNF)	→	2A	1/4" PTF
			3A	3/8" PTF
			1B	1/8" ISO Rc
			2B	1/4" ISO Rc
			3B	3/8" ISO Rc
			1G	1/8" ISO G
			2G	1/4" ISO G
			3G	3/8" ISO G
			6D	6mm PIF
			8D	8mm (5/16") PIF
			AD	10mm PIF
			BD	12mm PIF
			4E	1/4" PIF
			6E	3/8" PIF
			8E	1/2" PIF
			2R*	1/4" PTF
			2T*	1/4" ISO Rc
			2V*	1/4" ISO G

\* Does not include mounting bracket

## Accessories and Kits

Threaded connector w/mounting bracket*		Push-In-Fitting connector w/mounting bracket*		Threaded connector w/o mounting brackets		Porting block		Quikconnect™ (quantity of 1)
								
Connection	P/N	Connection	P/N	Connection	P/N	Connection	P/N	P/N
1/8" PTF	9212KIT-1A	6mm PIF	9213KIT-6D	1/4" PTF	9211KIT-2R	1/4" PTF	9216-50	9210-50
1/4" PTF	9212KIT-2A	8mm (5/16") PIF	9213KIT-8D	1/4" ISO Rc	9211KIT-2T	1/4" ISO G	9216-51	
3/8" PTF	9212KIT-3A	10mm PIF	9213KIT-AD	1/4" ISO G	9211KIT-2V	1/4" ISO Rc	9216-52	
1/8" ISO Rc	9212KIT-1B	12mm PIF	9213KIT-BD					
1/4" ISO Rc	9212KIT-2B	1/4" PIF	9213KIT-4E					
3/8" ISO Rc	9212KIT-3B	3/8" PIF	9213KIT-6E					
1/8" ISO G	9212KIT-1G	1/2" PIF	9213KIT-8E					
1/4" ISO G	9212KIT-2G							
3/8" ISO G	9212KIT-3G							

\* Use 1/4" (6 mm) screws, and appropriate washers when attaching brackets to a surface.

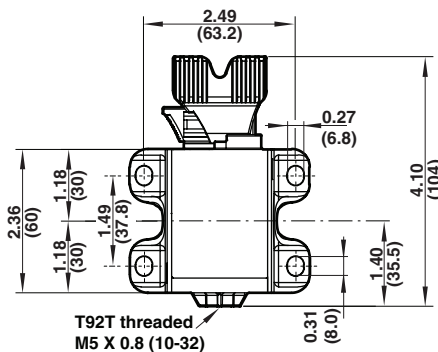
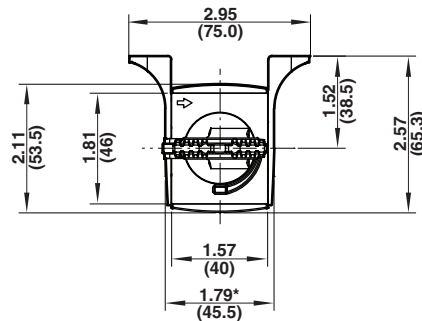
Locking plate kits**	
	
<b>P/N 9236-88/X10</b> (qty 10) (fits filter, lubricator, lockout, and back of all units)	<b>P/N 9236-89/X10</b> (qty 10) (fits regulator, filter/regulator, and porting block)

  \*\* Locking plates **MUST** be in place before pressurizing any Excelon Pro unit.

### \* Connector Dimensions

1/8" and 1/4" threaded connectors shown. See below for port-to-port dimensions for additional connectors.

PIF Connector	Port-to-port
1/4", 6mm, 8mm (5/16")	2.37" (60.2)
3/8", 1/2", 10mm, 12mm	2.48" (61.9)
Threaded connector	
1/8", 1/4"	1.79" (45.5)
3/8"	2.99" (76.1)



Porting block

