

Easy to order

Configuration flexibility

Excellent value

No tools required for assembly

Technical data

Fluid: Compressed air

Maximum pressure

175 psig (12 bar)

Operating temperature*

-4° to 140°F (-20° to 60°C)

* Air supply must be dry enough to avoid ice formation at temperatures below 35°F (2°C).

Materials

Body and bonnet: PBT

Elastomers:

Valve elastomer - Geolast

Diaphragm and all other elastomers - nitrile

Internal parts: Acetal

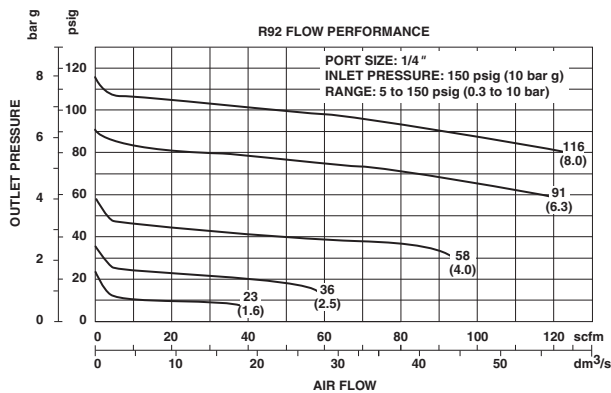


Order Information

Models listed include relieving diaphragm, 5 to 150 psig (0.3 to 10 bar) outlet pressure adjustment range, panel mount nut, and (bar/psi gauge).

| Port size | Part Number | Flow* scfm (dm ³ /s) | Weight lb (kg) |
|-----------|-------------|------------------------------------|-------------------|
| 1/4" PTF | R92G2AKRMG | 46 (22) | 0.55 (0.25) |
| 3/8" PIF | R92G6EKRMG | 22 (10) | 0.53 (0.24) |

* Maximum flow with 145 psig (10 bar) inlet pressure, 90 psig (6.3 bar) set pressure, and a 15 psid (1 bar d) droop from set.



R92G ★★ KRM★

| Substitute | Description | Substitute | Description |
|------------|-----------------|------------|---------------------|
| NN* | no connection | G | Gauge bar/psi scale |
| 1A | 1/8" PTF | B | Gauge bar/Mpa scale |
| 2A | 1/4" PTF | | |
| 3A | 3/8" PTF | | |
| 1B | 1/8" ISO Rc | | |
| 2B | 1/4" ISO Rc | | |
| 3B | 3/8" ISO Rc | | |
| 1G | 1/8" ISO G | | |
| 2G | 1/4" ISO G | | |
| 3G | 3/8" ISO G | | |
| 6D | 6mm PIF | | |
| 8D | 8mm (5/16") PIF | | |
| AD | 10mm PIF | | |
| BD | 12mm PIF | | |
| 4E | 1/4" PIF | | |
| 6E | 3/8" PIF | | |
| 8E | 1/2" PIF | | |
| 2R* | 1/4" PTF | | |
| 2T* | 1/4" ISO Rc | | |
| 2V* | 1/4" ISO G | | |

* Does not include mounting bracket

R92G General Purpose Regulator



All Dimensions in Inches (mm)

Accessories and Kits

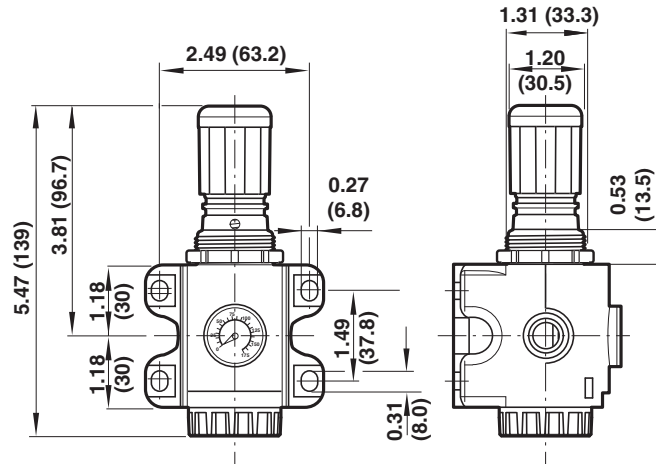
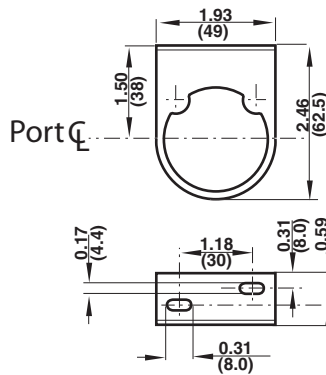
| Threaded connector w/mounting bracket* | | Push-In-Fitting connector w/mounting bracket* | | Threaded connector w/o mounting brackets | | Porting block | | Quikconnect (quantity of 1) | |
|----------------------------------------|------------|-----------------------------------------------|------------|------------------------------------------|------------|-----------------------------------------|---------|-----------------------------|--|
| | | | | | | | | | |
| Connection | P/N | Connection | P/N | Connection | P/N | Connection | P/N | P/N | |
| 1/8" PTF | 9212KIT-1A | 6mm PIF | 9213KIT-6D | 1/4" PTF | 9211KIT-2R | 1/4" PTF | 9216-50 | 9210-50 | |
| 1/4" PTF | 9212KIT-2A | 8mm (5/16") PIF | 9213KIT-8D | 1/4" ISO Rc | 9211KIT-2T | 1/4" ISO G | 9216-51 | | |
| 3/8" PTF | 9212KIT-3A | 10mm PIF | 9213KIT-AD | 1/4" ISO G | 9211KIT-2V | 1/4" ISO Rc | 9216-52 | | |
| 1/8" ISO Rc | 9212KIT-1B | 12mm PIF | 9213KIT-BD | Wall mounting bracket | | Panel mount nut (quantity of 10) | | | |
| 1/4" ISO Rc | 9212KIT-2B | 1/4" PIF | 9213KIT-4E | | | | | | |
| 3/8" ISO Rc | 9212KIT-3B | 3/8" PIF | 9213KIT-6E | P/N 74316-02 | | P/N 9248-50 | | | |
| 1/8" ISO G | 9212KIT-1G | 1/2" PIF | 9213KIT-8E | | | | | | |
| 1/4" ISO G | 9212KIT-2G | | | | | | | | |
| 3/8" ISO G | 9212KIT-3G | | | | | | | | |

* Use 1/4" (6 mm) screws, and appropriate washers when attaching brackets to a surface.

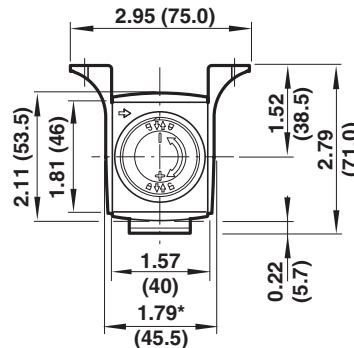
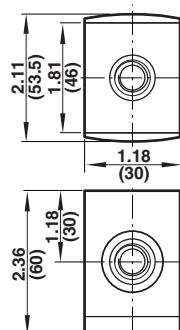
| Service kit | Locking plate kits** | |
|--------------------------------------------------------------------------------------------------------------|-----------------------------------------------------------------------------------------------------|-------------------------------------------------------------------------------------------------|
| P/N R92G-KITR Includes: Diaphragm assembly, valve, valve O-ring, slip ring, and bottom plug O-ring | P/N 9236-88/X10 (qty 10) (fits filter, lubricator, lockout, and back of all units) | P/N 9236-89/X10 (qty 10) (fits regulator, filter/regulator, and porting block) |

** Locking plates **MUST** be in place before pressurizing any Excelon Pro unit.

74316-02 Wall mount dimensions



Porting block



* Connector Dimensions

1/8" and 1/4" threaded connectors shown. See below for port-to-port dimensions for additional connectors.

| PIF Connector | Port-to-port |
|------------------------|--------------|
| 1/4", 6mm, 8mm (5/16") | 2.37" (60.2) |
| 3/8", 1/2", 10mm, 12mm | 2.48" (61.9) |
| Threaded connector | |
| 1/8", 1/4" | 1.79" (45.5) |
| 3/8" | 2.99" (76.1) |