

Easy to order

Configuration flexibility

Excellent value

No tools required for assembly

Technical data

Fluid: Compressed air

Maximum pressure

175 psig (12 bar)

Operating temperature*

-4° to 125°F (-20° to 52°C)

* Air supply must be dry enough to avoid ice formation at temperatures below 35°F (2°C).

Materials

Body: PBT

Bonnet: PBT

Valve elastomer: Geolast

Diaphragm: Nitrile

Transparent bowl: Polycarbonate

Element: Sintered polypropylene

Elastomers:

Bowl O-ring - Neoprene

All others - Nitrile

Internal parts: Acetal

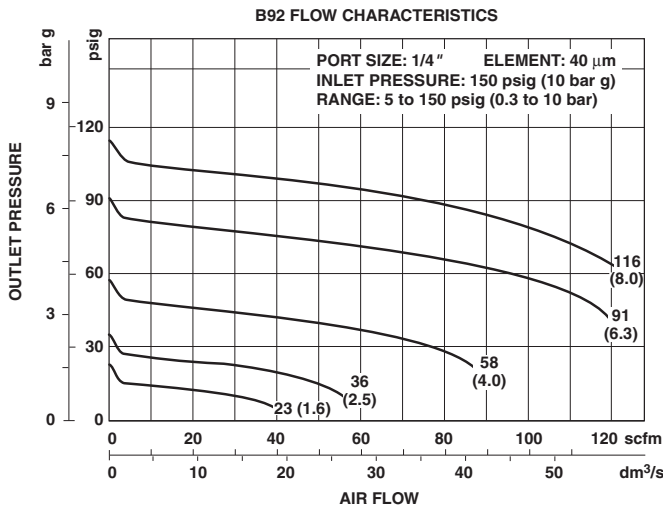


Order Information

Models listed below have 5µm element, relieving diaphragm, 5 to 150 psig (0.3 to 10 bar) outlet pressure adjustment range, panel mount nut, manual drain, and bar/psi gauge.

Port size	Part Number	Flow* scfm (dm ³ /s)	Weight lb (kg)
1/4" PTF	B92G2AKQT1RMG	35 (16)	0.62 (0.28)
3/8" PIF	B92G6EKQT1RMG	21 (10)	0.60 (0.27)

* Maximum flow with 145 psig (10 bar) inlet pressure, 90 psig (6.3 bar) set pressure and a 15 psid (1 bar d) droop from set.



B92G★K★T1RM★

Substitute	Description
NN*	no connection
1A	1/8" PTF
2A	1/4" PTF
3A	3/8" PTF
1B	1/8" ISO Rc
2B	1/4" ISO Rc
3B	3/8" ISO Rc
1G	1/8" ISO G
2G	1/4" ISO G
3G	3/8" ISO G
6D	6mm PIF
8D	8mm (5/16") PIF
AD	10mm PIF
BD	12mm PIF
4E	1/4" PIF
6E	3/8" PIF
8E	1/2" PIF
2R*	1/4" PTF
2T*	1/4" ISO Rc
2V*	1/4" ISO G

Substitute	Description
G	Gauge bar/psi scale
B	Gauge bar/Mpa scale
Q	Manual drain
A	Automatic drain

* Does not include mounting bracket

B92G Filter/Regulator



All Dimensions in Inches (mm)

Accessories and Kits

Threaded connector w/mounting bracket*		Push-In-Fitting connector w/mounting bracket*		Threaded connector w/o mounting brackets		Porting block		Quikconnect (quantity of 1)	
Connection	P/N	Connection	P/N	Connection	P/N	Connection	P/N	P/N	
1/8" PTF	9212KIT-1A	6mm PIF	9213KIT-6D	1/4" PTF	9211KIT-2R	1/4" PTF	9216-50		9210-50
1/4" PTF	9212KIT-2A	8mm (5/16") PIF	9213KIT-8D	1/4" ISO Rc	9211KIT-2T	1/4" ISO G	9216-51		
3/8" PTF	9212KIT-3A	10mm PIF	9213KIT-AD	1/4" ISO G	9211KIT-2V	1/4" ISO Rc	9216-52		
1/8" ISO Rc	9212KIT-1B	12mm PIF	9213KIT-BD	Wall mounting bracket		Panel mount nut (quantity of 10)			
1/4" ISO Rc	9212KIT-2B	1/4" PIF	9213KIT-4E						
3/8" ISO Rc	9212KIT-3B	3/8" PIF	9213KIT-6E						
1/8" ISO G	9212KIT-1G	1/2" PIF	9213KIT-8E						
1/4" ISO G	9212KIT-2G								
3/8" ISO G	9212KIT-3G			P/N	74316-02	P/N	9248-50		

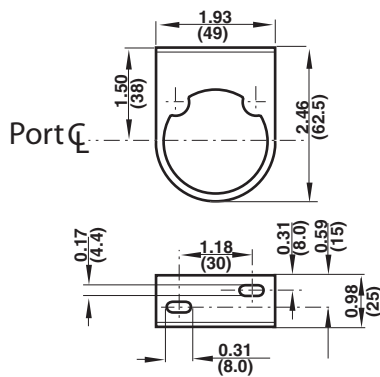
* Use 1/4" (6 mm) screws, and appropriate washers when attaching brackets to a surface.

Service kit	Locking plate kits**	
P/N B92G-KITR Includes: Diaphragm assembly, valve, valve O-ring, slip ring, bowl O-ring, element, and screws		
Auto Drain Assembly kit P/N 4000-50	P/N 9236-88/X10 (qty 10) (fits filter, lubricator, lockout, and back of all units)	P/N 9236-89/X10 (qty 10) (fits regulator, filter/regulator, and porting block)

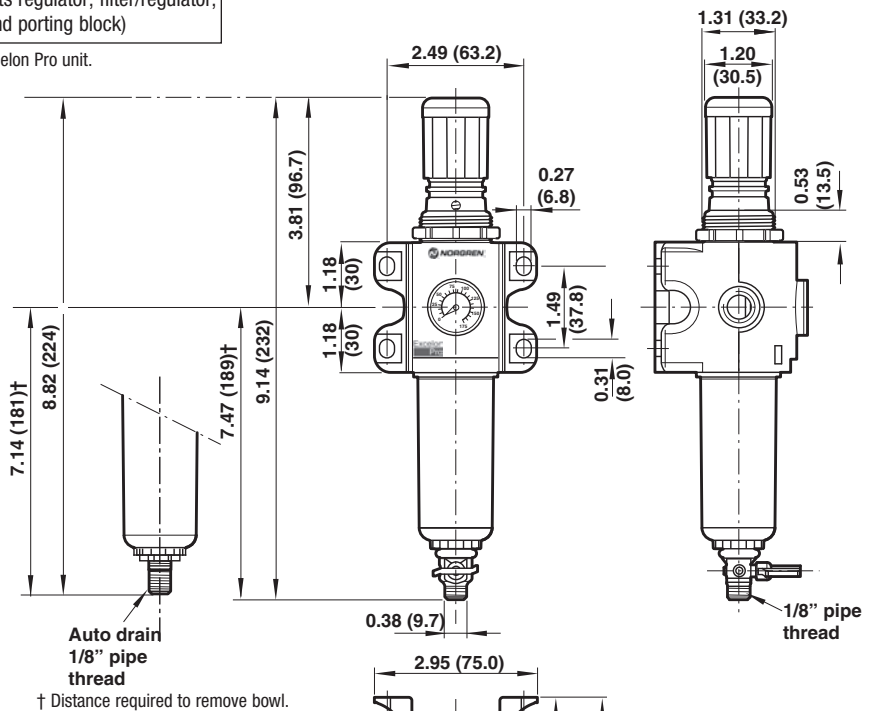
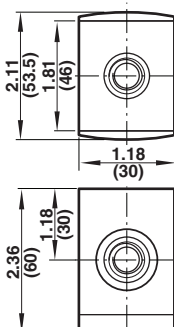
⚠️ ** Locking plates **MUST** be in place before pressurizing any Excelon Pro unit.

All Dimensions in Inches (mm)

74316-02 Wall mount dimensions



Porting block



* Connector Dimensions

1/8" and 1/4" threaded connectors shown. See below for port-to-port dimensions for additional connectors.

PIF Connector	Port-to-port
1/4", 6mm, 8mm (5/16")	2.37" (60.2)
3/8", 1/2", 10mm, 12mm	2.48" (61.9)
Threaded connector	
1/8", 1/4"	1.79" (45.5)
3/8"	2.99" (76.1)

